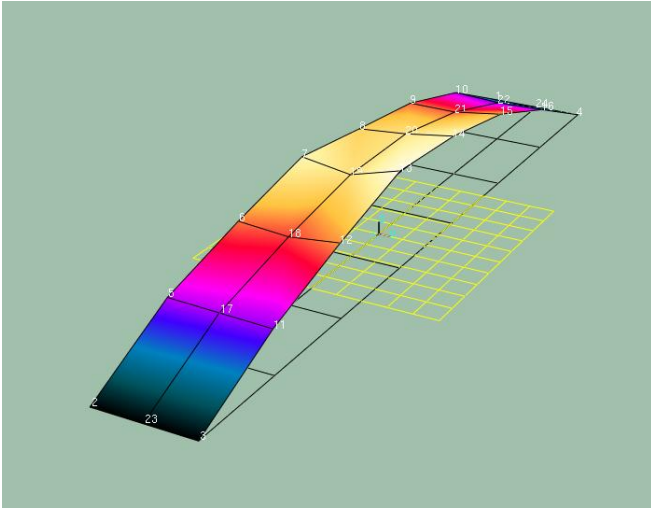
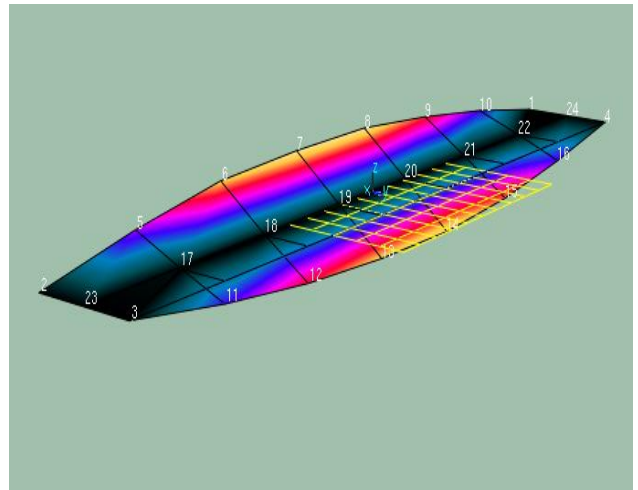


## Project 2 Modes & Frequencies

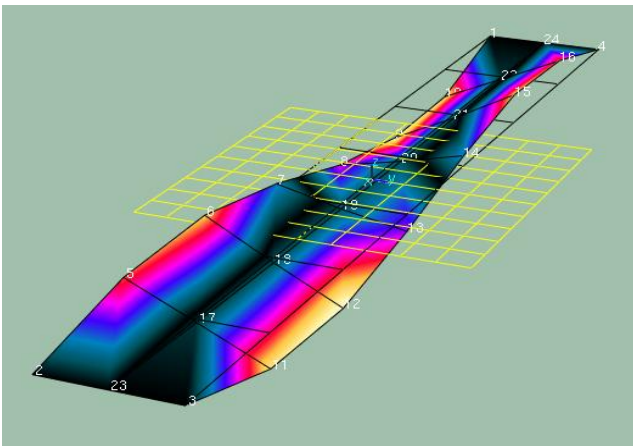
Some of the lowest mode shapes and corresponding frequencies



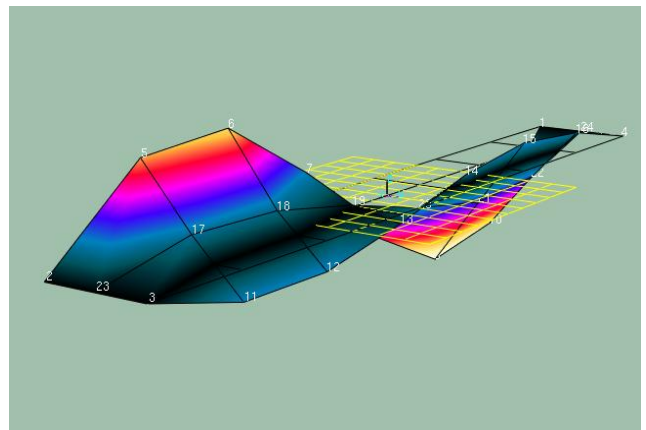
5.5Hz



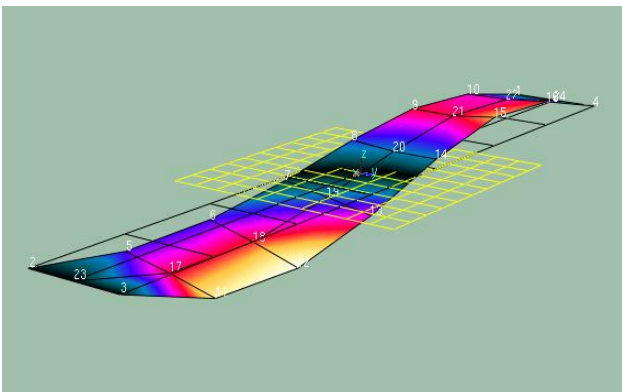
8.0Hz



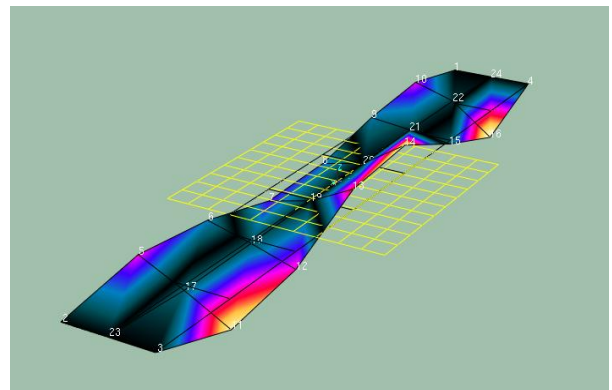
21.13Hz



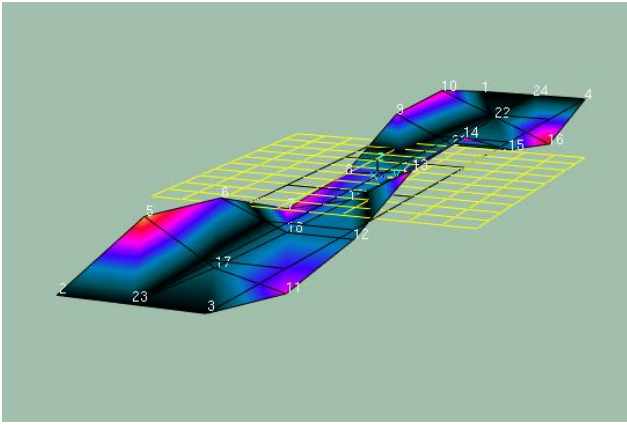
21.38Hz



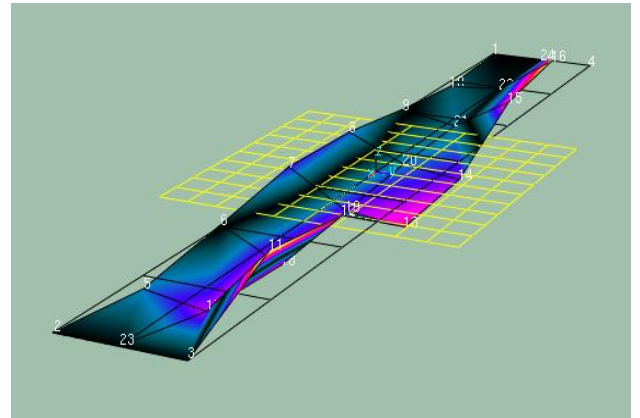
21.75Hz



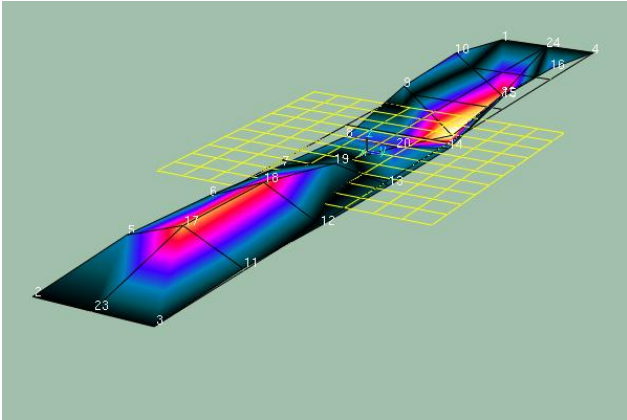
33.38Hz



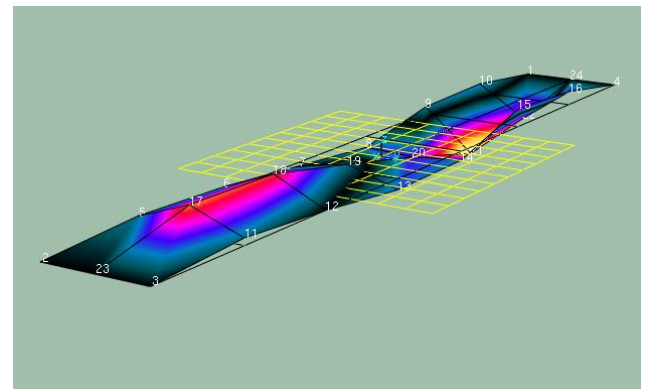
34.25Hz



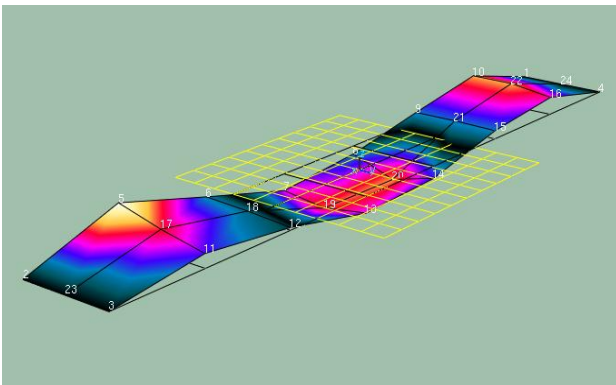
35.75Hz



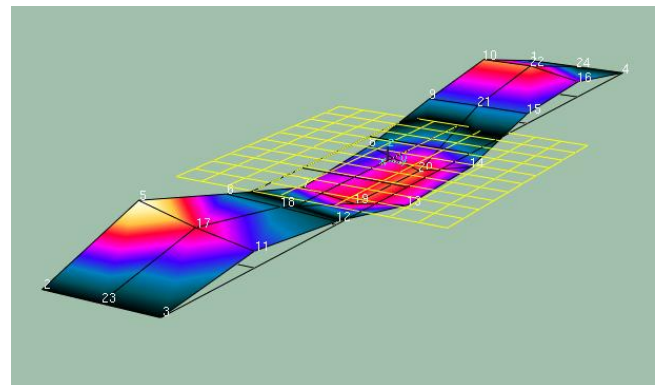
37.25Hz



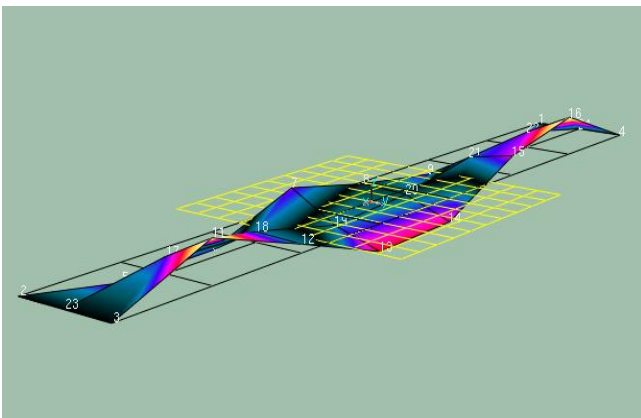
37.38Hz



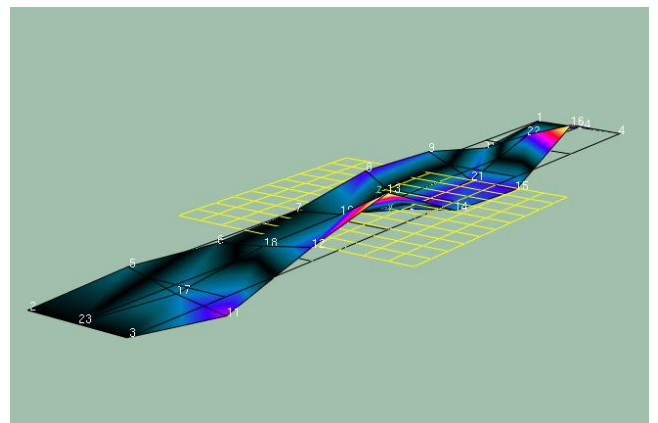
50.63Hz



50.75Hz



59.50Hz



104.0Hz